

地址：上海市青浦区金泽镇沪青平公路9565号  
电话：021-39261010  
传真：021-59261010  
邮编：201718  
E-mail: shmd999@163.com  
网址：www.shmdchina.com

Add: No.9565 Huqingping Road Jinze Town Qingpu Shanghai  
Tel: +86-21-39261010  
Fax: +86-21-59261010  
Zip Code: 201718  
E-mail: shmd999@163.com  
Http: //www.shmdchina.com

### 上海中菱电梯有限公司阿塞拜疆分公司

#### ABSHERON\_LIFT-SERVICE LLC

E-mail: absheron\_lift@mail.ru

#### AZERLIFT SERVICE LLC

#### AZERLIFT SERVICE LTD

E-mail: Azerliftservice@mail.ru

Add: AZ 5011 Sumgait City, estates 47, building 11, apartment 25

Tel: +994 55 289 19 39

+994 70 289 19 39

+994 50 280 30 82

+994 055 267 90 00

+994 12 585 19 29 ( city phone number)

TAX ID: 2904455531

免费服务热线：**800 820 1930**  
Service Hotline:  
**400 620 1930**



# MD-JPS

乘客电梯

Passenger Elevator

如有变更恕不另行通知/ The picture is drawn by the computer and it may be slightly different with the actual.  
2019年第一版





# UNDERTAKE HISTORY AND FUTURE

## 承接历史与未来

起于1989年的上海

因势而生, 蓬勃发展

**传承上海工业的匠心底蕴和匠人精神**

海纳百川、积淀卓越

**30载峥嵘岁月, 由小到大**

**30载精益求精, 质造不凡**

2010年, 上海中菱成为上海世博会供应商

用电梯的力量, 承接历史与未来



活力矩阵 | 中国民企联合馆  
The Chinese Private Enterprise Pavilion

Originating from Shanghai since 1989, it inherits the history and connects the future

Born at the right time, it has been developing vigorously

Inheriting the ingenuity connotation and craftsman spirit of Shanghai Industry

Diversity, tolerance, excellence

With 30 years of endeavor, we grow up little by little

With 30 years pursuit of perfection, we make extraordinary achievement

Shanghai Middiamond Elevator became the supplier of Shanghai Expo in 2010

Inheriting the history and connecting the future by relying on the strength of elevator



## 关于我们

上海中菱电梯成立于1989年，是集设计、制造、销售、安装和维保于一体的现代化专业电梯企业。公司拥有国家质检总局颁发的电梯制造、安装、改造和维修双A级资质，公司产品涵盖乘客电梯、医用电梯、观光电梯、住宅电梯、载货电梯、自动扶梯、自动人行道等。凭借三十年电梯制造经验，丰富的产品品类可满足客户多样化需求，业务范围涉及全国各省、地市，更远销东南亚、中东、非洲等地，并与多家企事业单位建立了长期业务合作关系。

30年栉风沐雨，作为2010年上海世博会的供应商，上海中菱电梯传承上海工业精神，专注电梯服务三十年，贯彻中国智造理念，将信息化管理与物联网技术运用到了生产、管理与服务之中，实现信息化与智能化的制造产业生态，力争全面了解客户需求，服务网点遍布全国各地，为客户和用户提供更全面而卓越的建筑交通服务。

## About us

Founded in the year of 1989, Shanghai Middiamond Elevator is a modern professional elevator enterprise integrating design, manufacturing, sales and maintenance. The company owns the double A qualification of elevator manufacturing, installation, modification and maintenance with its business scope of passenger elevator, hospital elevator, sightseeing elevator, residential elevator, freight elevator, escalator, automatic sidewalk, etc. Relying on its 30-year elevator manufacturing experience, its rich product varieties can meet the customers' diversified demands

and its business scope is involved various provinces and cities throughout the country. Its products are even exported to the Southeast Asia, the Middle East, Africa, etc. Furthermore, it has set up long term cooperation with many enterprises.

Dedicated to elevator service for 30 years, Shanghai Middiamond Elevator applies the concept of intelligent manufacturing in China, information management and Internet of things to production, management and service while inheriting the spirit of Shanghai spirit as the supplier of Shanghai Expo in 2010, thus achieving information and intelligent manufacturing industrial chain and striving to know customers' demand. With service networks are all over the country, it provides overall and excellent architecture traffic service for customers and users.

### 企业理念：

追求全体员工物质和精神两方面的幸福，为客户提供高品质的产品及服务，提高企业价值，为社会的发展进步做贡献。

### Corporate concept:

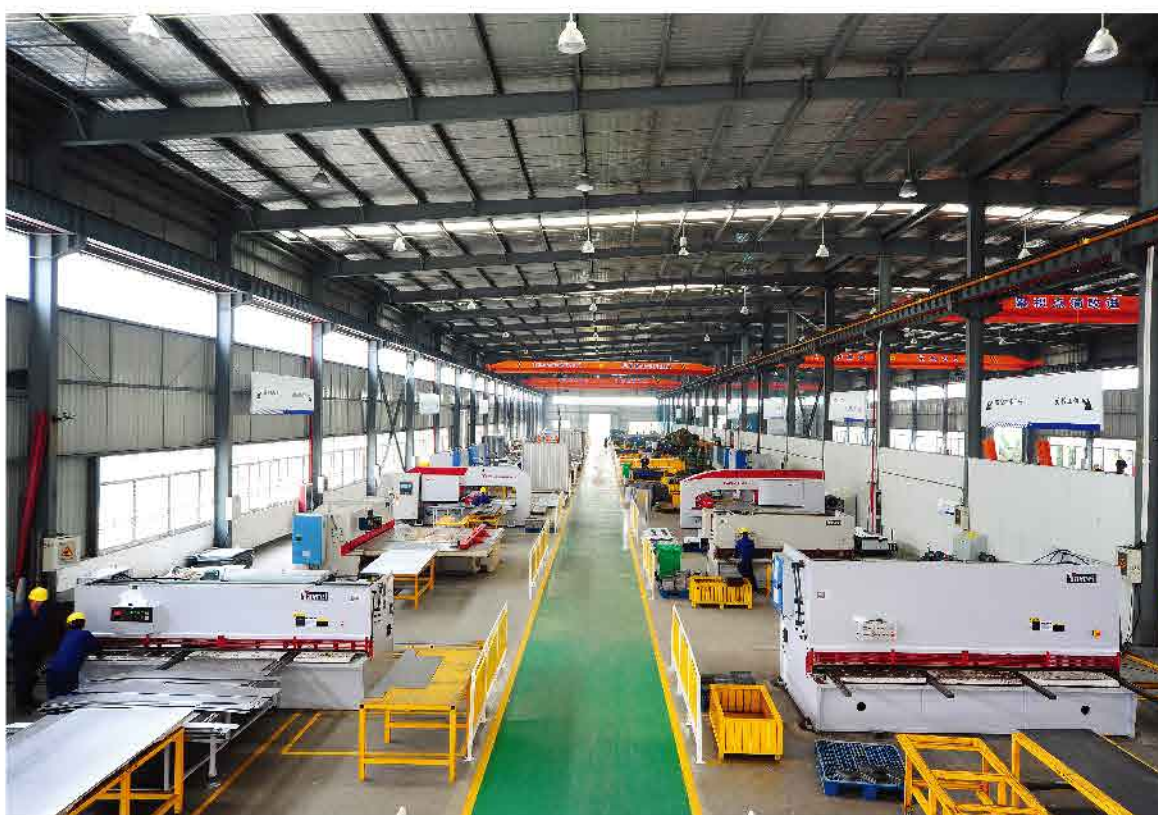
In pursuit of physical and spiritual happiness of all employees, Shanghai Middiamond Elevator provides high quality products and services for customers, thus enhancing the corporate value and making contributions to social progress.





## 匠心品质 领先制造

上海三菱积极引进行业领先的生产设备，以精良的加工工艺与强大的设计制造能力，为优良的产品品质提供保障。



## Ingenuity quality leading

Shanghai Middiamond Elevator actively introduces the advanced manufacturing equipment and provides guarantee for its excellent product quality with fine processing technology and strong design manufacturing capacity.



## 六大部件, 五年质保

上海中菱电梯为包括曳引机、变频器、门机、限速器、安全钳、缓冲器在内的六大部件实行五年质保, 远超当前电梯行业的质保期限, 为广大用户提供更安全可靠、耐久稳定的乘梯体验。

## Six major component, 5-year quality assurance

Shanghai Middiamond Elevator provides 5-year quality assurance for the six major components, including tractor, frequency converter, crane, overspeed limit device, safety gear and buffer, far beyond the warranty period in the elevator industry current, thus providing more secure, more reliable, more durable and more stable elevator riding experience for customers.

**6** SIX PARTS  
大核心部件

**5** FIVE YEAR WARRANTY  
年质保

### 安全钳

在超速或意外情况下  
将轿厢紧急制停,  
有效保护电梯安全运行

### Safety gear

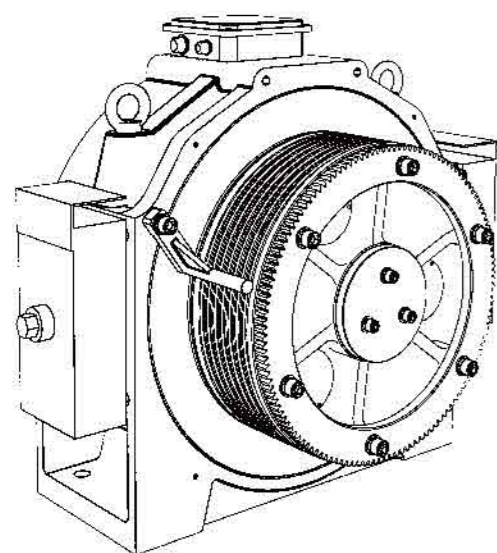
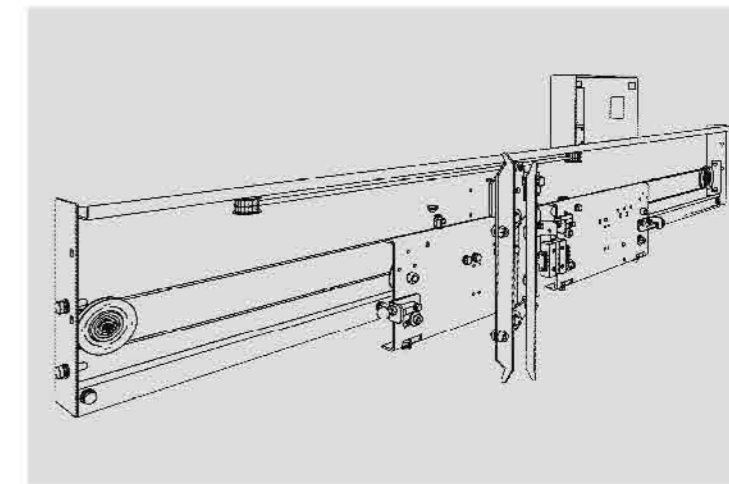
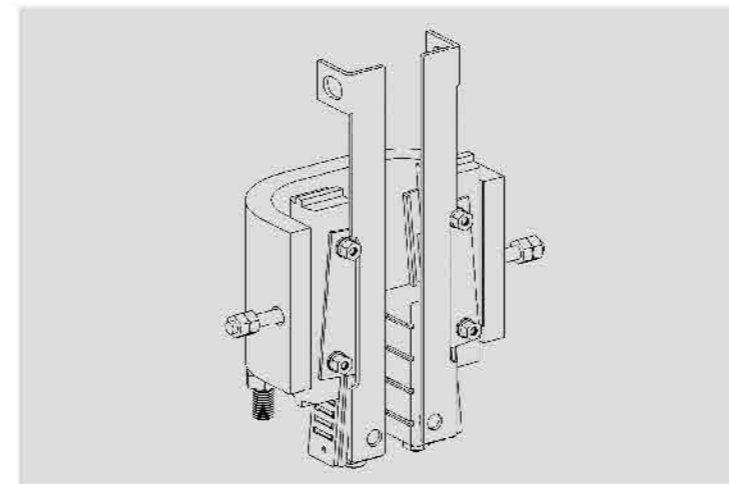
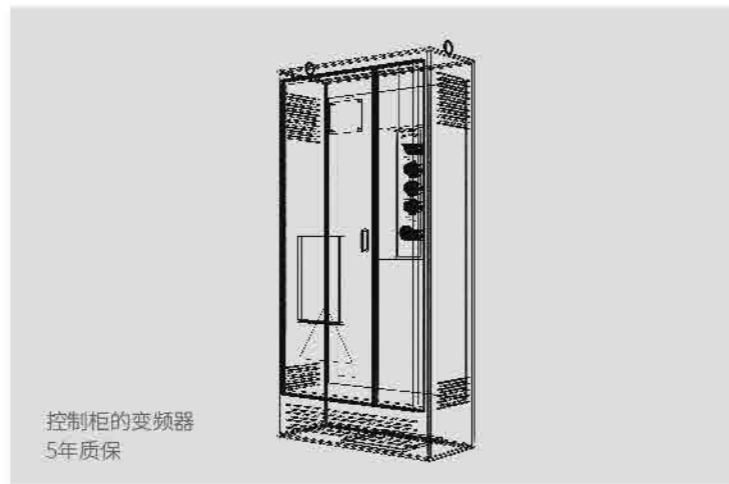
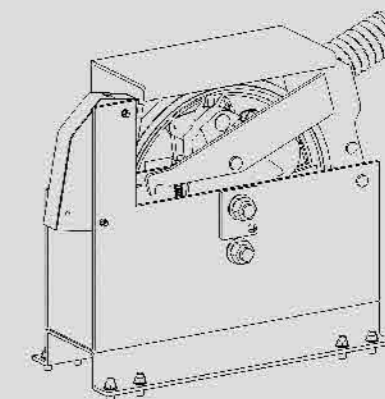
In case of overspeed or emergency  
The car ceases immediately  
Effectively protect the secure operation of the elevator

### 限速器

随时监测控制着轿厢的速度,  
及时发出信号给安全钳

### Overspeed limit device

Monitor and control the car speed at any time,  
Send signal to safety gear in time



### 主机

永磁同步主机, 在强劲的动力输出和节能表现上都出类拔萃

### Main engine

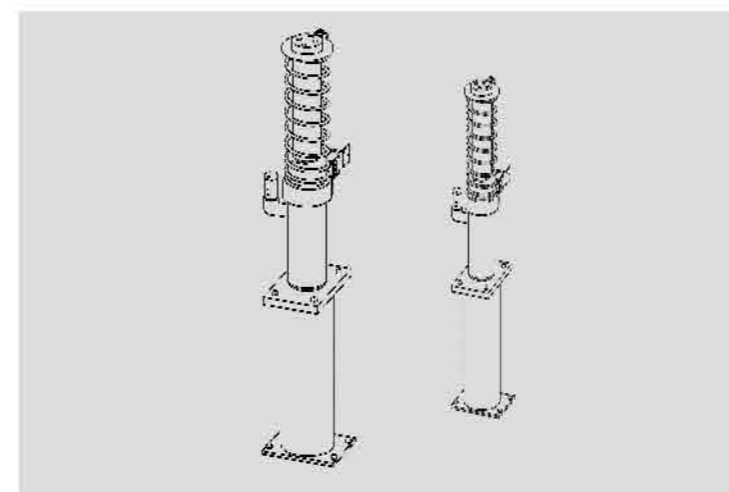
Permanent magnet synchronous main engine, in strong power,  
Extraordinary output and energy-saving performance

### 变频器

采用业内创新四象限变频器, 节能同时有效降低机房温度

### Frequency converter

Use the industry creative 4-quadrant frequency converter,  
It can effectively reduce the machine room temperature while saving energy.



### 缓冲器

电梯安全系统的最后环节,  
有效吸收或消耗  
电梯下降的冲击能量

### Buffer

Last link of elevator security system,  
Effective absorption and energy consumption  
Impact energy of elevator fall

### 门机

门机无需位置开关, 通过编码器实现位置控制, 效率更高, 故障率更低

### Crane

The crane needs no position switch and achieve the position control through encoder,  
High efficiency and low fault rate



## 核心科技 严选工艺

上海中菱电梯将世界领先的电梯技术融入到研发制造中去,为电梯注入灵活高效的运行动力,使其能在各种不同的运行环境下,承担起客流运输的重任。

## Core technology strict technology

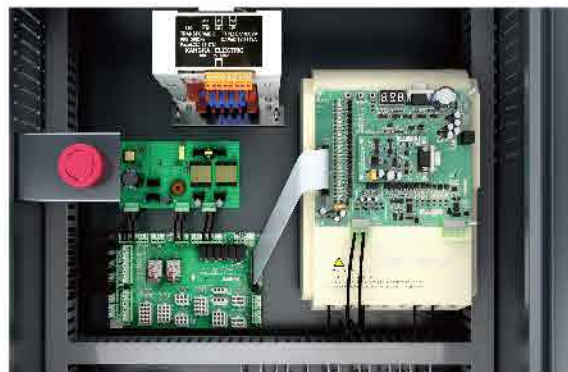
Shanghai Middiamond Elevator, integrate with the world leading elevator technology into R&D and manufacturing, injects flexible and high efficient operation power to elevator, thus enabling it to run in different operation environment and undertaking the heavy task of passenger transport.

### 一体式控制系统

将永磁同步驱动技术和一体化全电脑智能控制系统相结合,以高效节能、绿色环保、节省空间、安全舒适、性能稳定等优势,全面满足商务楼、酒店、高层住宅等环境的乘梯需求,用人性化的设计理念,创造全新的电梯空间。

### Integrated control system

With the combination of permanent magnet synchronous drive technology and integrated computer-controlled intelligent control system, Shanghai Middiamond Elevator can meet the demands of elevator riding in business building, hotel and high-rise apartment with its high efficiency, energy conservation, space conservation, security, comfort, stable performance, etc and create new elevator space with its humanized design concept.



### VVVF变频门机系统

将VVVF变频变压控制技术应用到电梯门系统,确保电梯门流畅和宁静开关,提高电梯门开关的灵敏度并自动调整每楼层最适合的开关速度以确保安全可靠;具备自学习能力的门负载检测器进一步提高了电梯门开关的灵敏度,监控每个楼层电梯门负载的变化,当受到异常阻力时电梯门会自动重新打开。

### VVVF frequency conversion door system

It applies the VVVF frequency and voltage conversion control technology to the elevator door system, which ensures the smooth and quiet opening and closing of the elevator door and improve the elevator door switch flexibility. The appropriate switch speed of each floor is adjusted in order to ensure the security and reliability. The gate load detector of self-learning ability can further improve the flexibility of the elevator gate switch, which can monitor the elevator gate load changes of each floor. The elevator door will automatically re-open with unusual resistance.

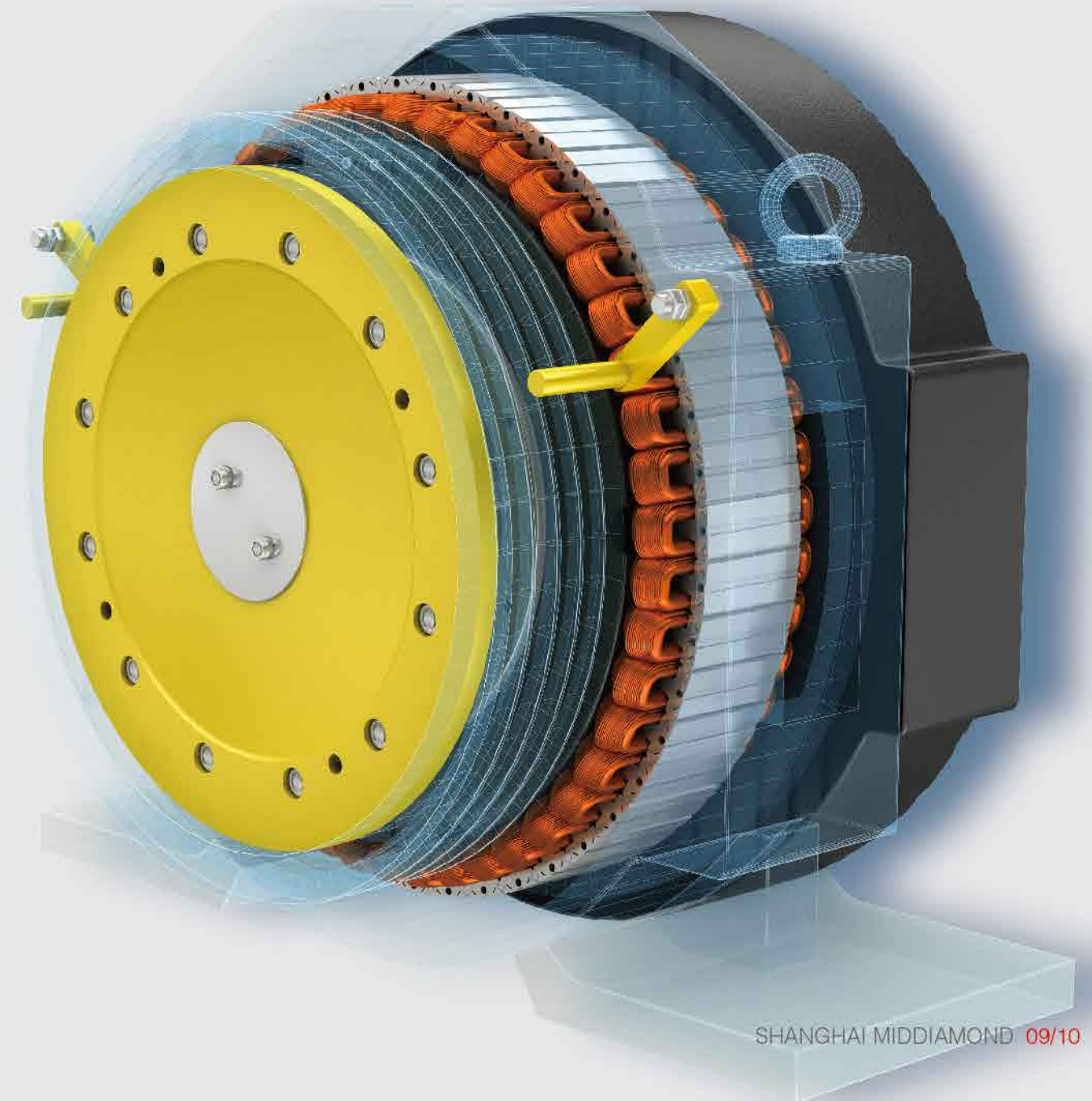


## 永磁同步无齿轮曳引机

选用稀土材料,将同轴传动技术、数字变频技术和群组电脑组合控制技术充分融合,高效节能,运行成本最小,热量散失低,工作效率高,与传统技术相比可节能40%以上;无需更换油脂,无油渍污染;低噪音设计,为您营造宁静的乘坐空间。

## Permanent magnet synchronous gearless tractor

Shanghai Middiamond Elevator, integrated with coaxial transmission technology, digital frequency inversion technology, group computer combination control technology, is made up of rare earth material with high efficiency, energy conservation, small operation cost, low heat loss, and high work efficiency. Compared with traditional technology, it can save over 40% energy. It does not need oil replacement and has no oil pollution. With low noise design, it can create quiet elevator riding space.





## 安心之选 绿色未来

上海中菱电梯将安全、环保的理念与电梯设计相统一，运用多重安全保护装置和多项节能技术，为电梯的每一次起落提供力量。

## Ease selection green future

Integrated with the concept of security, environmental protection and elevator design, Shanghai Middiamond Elevator provides strength for elevator lifting and descending every time by applying multiple safety protection devices and various energy saving technologies.

### 红外光幕保护

120束灵敏密集的红外光幕，在电梯门口形成光幕保护安全网，对于任何进入其探测范围的人或物做出反应，大大提供安全性能。

### Infrared light curtain protection

120 sensitive and dense infrared light curtains form a light curtain protection safety net at the gate way of the elevator and respond to the people and things around its detection range, which greatly improves the security performance.

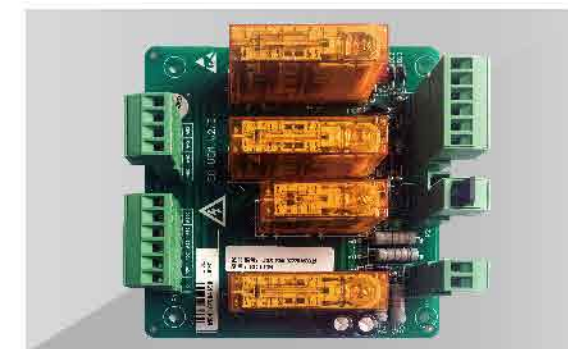


### UCMP保护系统

当电梯处于平层位置且开门状态下，如果出现意外移动，UCMP保护装置将会立即启动，使电梯安全制停，防止出现意外。

### UCMP protection system

UCMP protection system will immediately start in case of any accidental movement when the elevator is in the leveling position in door opening status. The elevator ceases immediately in order to prevent the accident.



### LED绿色光源轿厢照明系统

轿厢照明在整个电梯用电量中约占40%，采用LED照明系统后的电梯，耗电量仅为普通荧光灯的1/2、普通白炽灯的1/8，无辐射污染，启动快、寿命长。

### LED green light source lighting system

The car lighting accounts for about 40% of the total elevator power consumption. The power consumption of LED lighting system is only 1/2 of the ordinary fluorescent lamp and 1/8 of the ordinary filament lamp with no radiation pollution, fast startup and long life service.

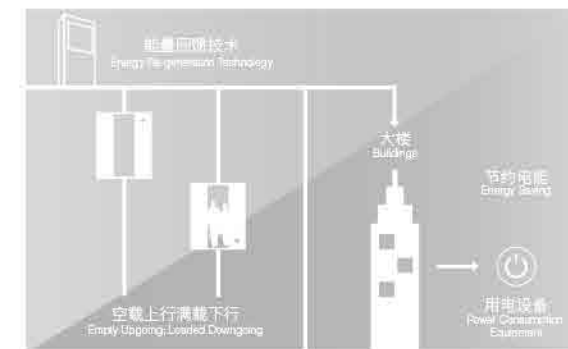


### 能量回馈装置(选配)

将电梯空载上行和满载下行时产生的能量收集起来，并回馈给电网内其他设备使用，有效节能约60%。

### Energy feedback device (optional)

The energies in no load lifting and full load descending of the elevator are collected and fed back to other equipment, which can save the energy of about 60%.





## 小机房乘客电梯

上海三菱电梯小机房乘客电梯通过优化设计和合理布局, 缩小机房的面积, 打造自由舒适的乘梯空间。

## Small machine room passenger elevator

Shanghai Middiamond Elevator small machine room passenger elevator shortens the machine room space and creates free and comfortable elevator riding space through optimization design and reasonable layout.



### 新型主机:

选用永磁同步无齿轮主机, 结构紧凑, 为机房留出更大的空间, 安装更简便易行。

### New main engine

It uses the permanent magnet synchronous gearless main engine with compact structure, large space for machine room and easy installation.

**50%**

节省机房面积  
Save machine room space

**255mm**

降低机房高度  
Reduce machine room height

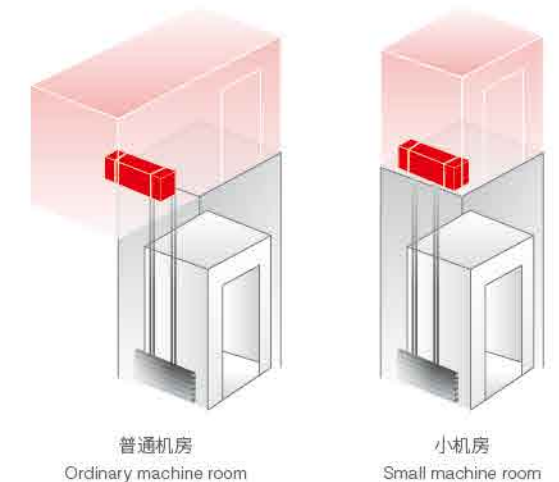


### 土建灵活:

与传统有机房电梯相比, 机房只是井道的延伸, 可以节约约50%的机房面积, 建造方便, 土建更为灵活。

### Flexible civil engineering

Compared with the traditional machine room elevator, the machine room is only the extension of the hoist way, which can save about 50% machine room space with more convenient and flexible civil engineering.



### 节约成本:

让机房作为井道的延伸, 从而有效节约建筑材料和建筑成本。

### Cost saving

The machine room is an extension of the hoist way, which can effectively reduce the building materials and construction cost.



## 无机房乘客电梯

上海中菱电梯突破了传统电梯必须设置机房的限制,将机房作为井道的一部分,不仅能够节约建筑面积,同时还让建筑设计更灵活自由。

## Machine roomless passenger elevator

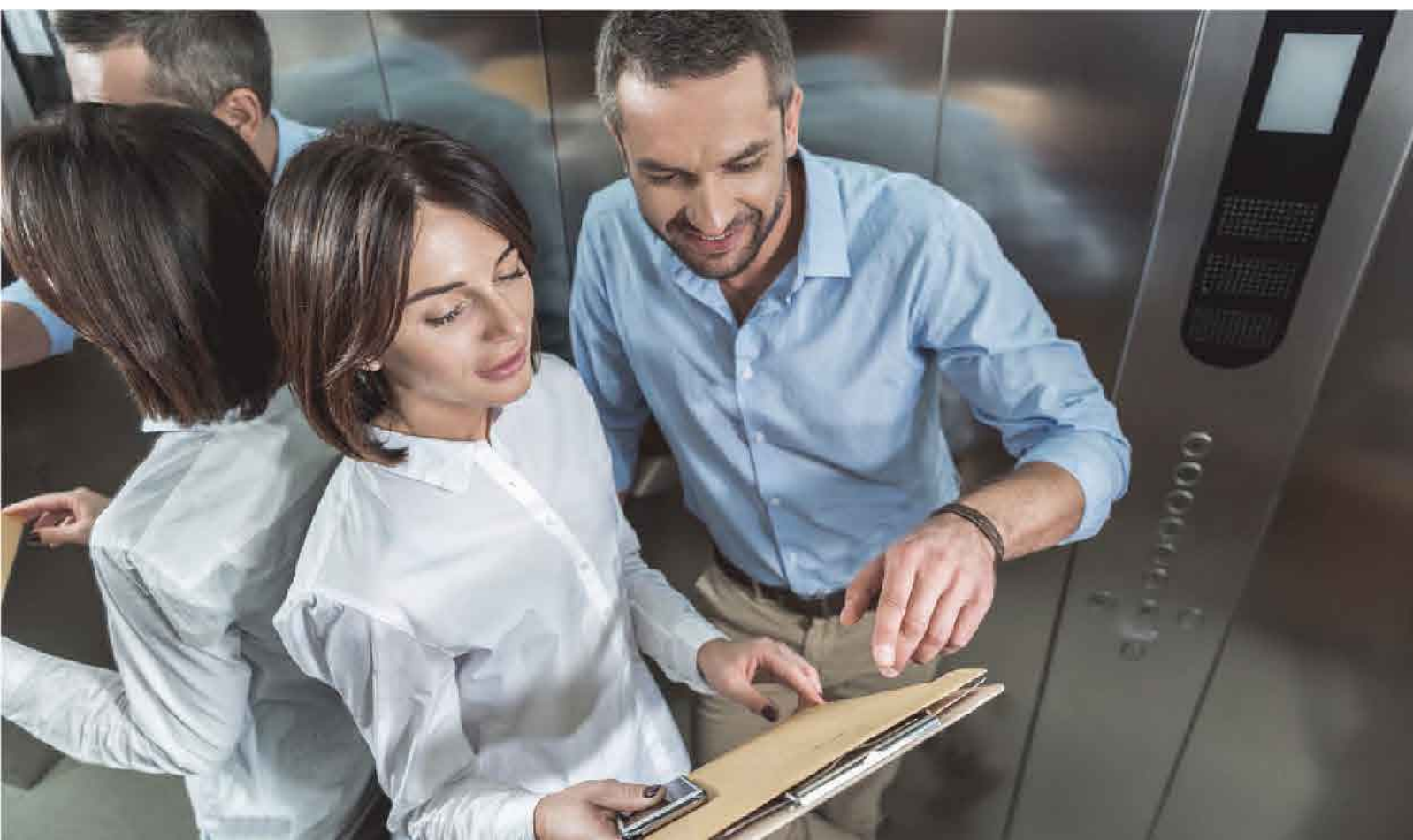
Shanghai Middiamond Elevator breaks through the limit of traditional elevator with machine room setting. The machine room is a part of the hoist way, which can not only save the building space but also make the building design more flexible and free.

### 节能降耗

采用永磁同步无齿轮主机,轻便小巧,传动效率高,与传统主机相比可以节约25%的电能。

### Energy conservation and consumption reduction

It uses permanent magnet synchronous gearless main engine. Being convenient and small, it has high transmission efficiency and saves 25% electric energy compared with traditional main engine.

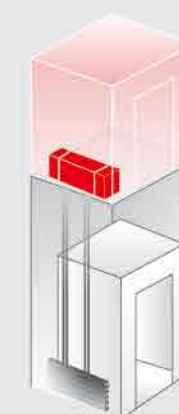


### 节约空间

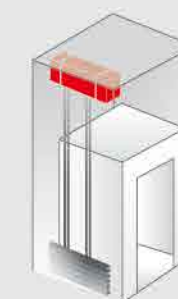
电梯主机和控制柜直接安装于井道内,从而能够节约10%左右的建筑空间。

### Space conservation

Elevator main engine and control cabinet are directly installed in the hoist way, thus saving 10% architecture space.



小机房  
Small machine room



无机房  
Machine roomless

### 广泛适用

适用于不同类型的建筑,更小巧灵活。

### Wide application

Being small and flexible, it is applied to different types of architectures.



## 担架电梯

上海中菱电梯专为12层及以上的高层住宅设计了担架电梯产品,在满足日常使用的同时,又拥有医疗急救功能,为用户提升安全保障。

## Stretcher elevator

Shanghai Middiamond Elevator designs the stretcher elevator product for 12 layer and higher residential buildings, which can meet the daily use and medical first aid function and improve the security guarantee for users.

### 急救按钮

按下急救按钮,电梯将不再响应其他用户的呼梯指令,直达目的楼层,缩短运行时间,为紧急救援提供方便。

### First aid button

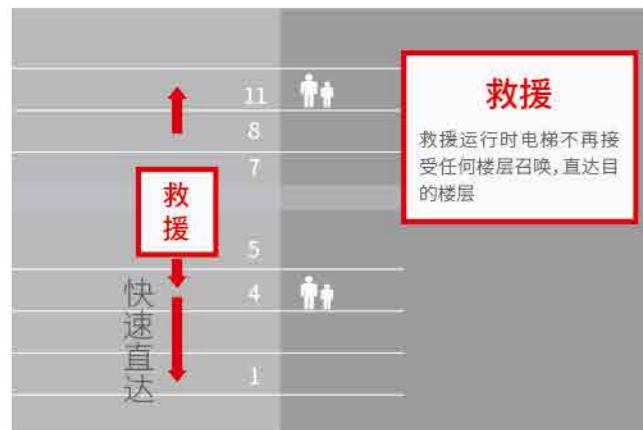
The elevator will no longer respond to the elevator calling instruction by other users and directly goes to the destination floor after the first aid button is pressed, which shortens the running time and provides convenience for first aid.

### 延时关门

一键延长关门时间,方便担架及乘客进出电梯。

### Delay door closing

One key delay door opening time can facilitate stretcher and passengers to get in and out of the elevator.



### 优化空间

深轿厢结构,能轻松容纳120急救中心的急救担架车、折叠式急救担架车和软担架等。

### Optimization space

The deep car structure can contain emergency stretcher, folding emergency stretcher and soft stretcher in the 120 first-aid center.



操纵箱 Operation panel



MD-900

标配 Standard

吊顶: 镜面不锈钢, 配白色亚克力透光

轿壁: 发纹不锈钢

地板: PVC

Ceiling: Mirror stainless steel, with white acrylic light transmission

Car wall: Hairline stainless steel

Floor: PVC



扫描二维码  
360度了解轿厢

Scan the QR code to know  
more about the lift car in the  
360-degree manner



MD-CBM-SP

标配  
Standard



MD-PIM-SP

有底盒 (标配)  
Bottom box (standard)



MD-CBM-01

选配  
Optional



MD-PIM-01-2

有底盒 (选配)  
Bottom box (optional)



MD-PIM-01-1

无底盒 (选配)  
Bottomless box (optional)



操纵箱 Operation panel

MD-600

标配 Standard

吊顶: 镜面不锈钢, 配白色亚克力透光, 筒灯

轿壁: 发纹不锈钢

地板: PVC

Ceiling: Mirror stainless steel, with white acrylic light transmission, down light

Car wall: Hairline stainless steel

Floor: PVC



扫描二维码  
360度了解轿厢

Scan the QR code to know  
more about the lift car in the  
360-degree manner



MD-CBM-02

标配  
Standard



MD-PIM-02

无底盒 (标配)  
Bottomless box (standard)



MD-CBM-03

选配  
Optional



MD-PIM-03-2

有底盒 (选配)  
Bottom box (optional)



MD-PIM-03-1

无底盒 (选配)  
Bottomless box (optional)

注: 该操纵箱为一体式  
Note: the control box is integral



# MD-300

标配 Standard

吊顶:中部是影像拱形,两侧为不锈钢底板  
上辅以筒灯的柔光照明设计

轿厢:后壁中间为镜面蚀刻不锈钢,其他为  
发纹不锈钢

扶手:发纹不锈钢单管扶手

地板:PVC

Ceiling: Middle with image roof, side of  
stainless steel floor with tube lamp  
for soft illumination design.

Car wall: Two sides made of stainless steel,  
the middle of the wall mirror etching  
stainless steel

Handrail: Single tube with stainless steel

Floor: PVC



扫描二维码  
360度了解轿厢  
Scan the QR code to know  
more about the lift car in the  
360-degree manner

## 操纵箱 Operation panel



**MD-CBM-04**

标配  
Standard

注:可选材质镜面、钛金、玫瑰金等。

Note: optional materials: mirror, titanium, rose gold, etc.



**MD-PIM-04**

无底盒 (标配)  
Bottomless box (standard)



**MD-CBM-05**

选配  
Optional

注:该操纵箱为一体式

Note: the control box is integral



**MD-PIM-05**

有底盒 (选配)  
Bottom box (optional)



# 电梯轿厢 (选配) Elevator Car (Optional)

## MD-J02

吊顶: 镜面不锈钢, 亚克力灯饰, 筒灯  
轿壁: 发纹, 镜面蚀刻不锈钢  
扶手: 不锈钢扁扶手  
地板: PVC

Ceiling: Mirror stainless steel, acrylic lamp decoration, LED downlight  
Car wall: Hairline, mirror etched stainless steel  
Handrail: Stainless steel flat handrail  
Floor: PVC

扫描二维码  
360度了解轿厢  
Scan the QR code to know  
more about the lift car in the  
360-degree manner.



## MD-J03

吊顶: 钛金镜面、筒灯照明  
轿壁: 镜面、蚀刻、钛金  
地板: PVC

Ceiling: Titanium mirror and LED downlight lighting  
Car wall: Mirror, etching, titanium  
Floor: PVC

扫描二维码  
360度了解轿厢  
Scan the QR code to know  
more about the lift car in the  
360-degree manner.



## MD-J04

吊顶: 钛金不锈钢工艺, 亚克力透光板, LED灯  
轿壁: 镜面、蚀刻、钛金  
地板: 抛光砖或PVC

Ceiling: Titanium-gold stainless steel process, acrylic translucent plate, LED light  
Car wall: Mirror, etching, titanium  
Floor: Polished tiles or PVC

扫描二维码  
360度了解轿厢  
Scan the QR code to know  
more about the lift car in the  
360-degree manner.



## MD-J05

吊顶: 镜面不锈钢, 亚克力透光板, LED灯  
轿壁: 镜面、钛金  
地板: 人造大理石/PVC

Ceiling: Mirror stainless steel, acrylic translucent plate, LED light  
Car wall: Mirror, titanium-gold  
Floor: Artificial marble/ PVC

扫描二维码  
360度了解轿厢  
Scan the QR code to know  
more about the lift car in the  
360-degree manner.





# 电梯轿厢 (选配) Elevator Car (Optional)

## MD-J06

吊顶:玫瑰金镜面工艺, LED灯  
轿壁:镜面、蚀刻、玫瑰金  
地板:人造大理石/PVC

Ceiling: Rose gold mirror technology, LED light  
Car wall: Mirror, etching, rose gold  
Floor: Artificial marble/ PVC

扫描二维码  
360度了解轿厢  
Scan the QR code to know  
more about the lift car in the  
360-degree manner



## MD-J07

吊顶:黑钛不锈钢框架, 亚克力柔光照明设计  
轿壁:镜面, 黑钛镜面不锈钢, 镜面蚀刻  
扶手:不锈钢圆扶手  
地板:大理石/PVC

Ceiling: Black titanium stainless steel frame, acrylic soft light  
illumination design  
Car wall: Mirror, black titanium mirror stainless steel, mirror etching  
Handrail: Stainless steel round handrail  
Floor: Marble/ PVC

扫描二维码  
360度了解轿厢  
Scan the QR code to know  
more about the lift car in the  
360-degree manner



## MD-J08

吊顶:冷板喷漆+镜面不锈钢+亚克力拱顶+LED照明  
后壁:钛金镜面蚀刻不锈钢  
侧壁:钛金镜面蚀刻不锈钢+钛金发纹不锈钢  
地板:PVC地板或大理石拼花

Ceiling: Cold plate painting + mirror stainless steel + acrylic  
arch + LED lighting  
Rear wall: Titanium-gold mirror etching stainless steel  
Side wall: Titanium-gold mirror etching stainless steel+  
titanium-gold hairline stainless steel  
Floor: PVC floor or marble pattern

扫描二维码  
360度了解轿厢  
Scan the QR code to know  
more about the lift car in the  
360-degree manner

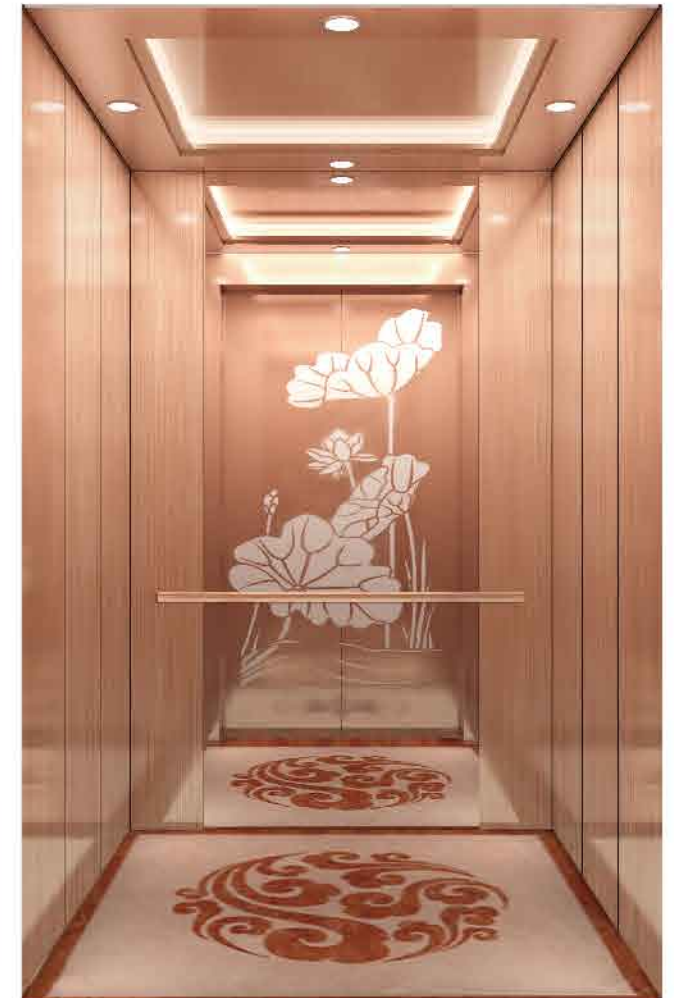


## MD-J09

吊顶:玫瑰金发纹不锈钢框架筒灯点缀, 中间玫瑰金镜面不锈钢  
板装饰, 中间四周LED灯带  
轿壁:左右玫瑰金发纹不锈钢, 后壁玫瑰金发纹不锈钢与玫瑰金  
镜面蚀刻不锈钢组合  
地板:PVC

Ceiling: Rose gold hairline stainless steel frame LED downlight  
ornament, rose gold mirror stainless steel in the middle plate  
decoration, LED light belt in the middle  
Car wall: Rose gold hairline stainless steel on the left and right,  
rear wall Rose gold hairline stainless steel and rose gold mirror  
etching stainless steel combination  
Floor: PVC

扫描二维码  
360度了解轿厢  
Scan the QR code to know  
more about the lift car in the  
360-degree manner





## 装潢系列 Decoration series

### 扶手 (选配) Handrail (Optional)



**MD-F01** 发纹不锈钢单管  
Stainless steel hairline mono-tube

**MD-F01-B** 镜面钛金不锈钢单管  
Titanium gold mirror stainless steel mono-tube



**MD-F02** 发纹不锈钢双管  
Stainless steel hairline double-tube

**MD-F02-B** 镜面钛金不锈钢双管  
Titanium gold mirror stainless steel double-tube



**MD-F03** 发纹不锈钢三联管  
Stainless steel hairline tri-tube

**MD-F03-B** 镜面钛金不锈钢三联管  
Titanium gold mirror stainless steel tri-tube



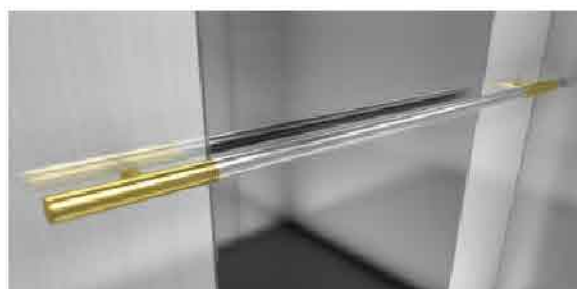
**MD-F04** 发纹板方扶手  
Hairline plate, square handrail

**MD-F04-B** 钛金板方扶手  
Titanium gold plate, square handrail



**MD-F05** 不锈钢短纹, 圆弧头  
Short grain stainless steel, arc head

**MD-F05-B** 钛金不锈钢短纹, 圆弧头  
Short grain titanium gold stainless steel, arc head



**MD-F06** 不锈钢和钛金组合  
Combination of stainless steel and titanium gold

**MD-F06-B** 圆木和钛金组合  
Combination of round wood and titanium gold

### 吊顶 (选配) Ceiling (Optional)



**MD-D01**

中部是影像拱形, 两侧为镜面不锈钢地板上辅以筒灯的柔光照明设计。

Middle with image roof, side of mirror stainless steel floor with tube lamp for soft illumination design.



**MD-D04**

镜面不锈钢框架, 拱形顶板加筒灯。

Mirror stainless steel frame, vaulted ceiling and downlight.



**MD-D02**

镜面不锈钢框架, 双拱形白色有机透光板, 加中部筒灯的柔光照明设计。

Mirror stainless steel frame, double vaulted white organic shade board and middle with tube lamp for soft illumination design.



**MD-D05**

镜面不锈钢, 亚克力灯饰, 筒灯。

Mirror stainless steel, acrylic lamp, down lamp.



**MD-D03**

镜面不锈钢框架, 亚克力柔光照明设计。

Mirror surface stainless steel made frame, acrylic soft light illumination design.



**MD-D06**

钛金镜面边框, 垂直式方形影像主体灯板与筒灯结合的柔光照明设计。

Titanium mirror frame, vertical square image main body board and tube lamp combining for soft illumination design.



# 装潢系列 Decoration series

## 厅门(选配) Landing Door (Optional)



**MD-M01** 发纹不锈钢  
Hairline stainless steel



**MD-M02** 镜面、蚀刻、不锈钢  
Mirror, etched, stainless steel



**MD-M03** 全框玻璃门, 四周不锈钢框架  
Full frame glass door, four sides stainless steel frame



**MD-M04** 钛金  
Titanium gold

## 残疾人操作箱 Disabled Cop



**MD-CBM-06**

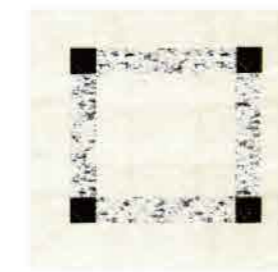
## 色卡 Color



## PVC 地板(选配) PVC Floor (Optional)



**MD-P01**



**MD-P02**



**MD-P03**



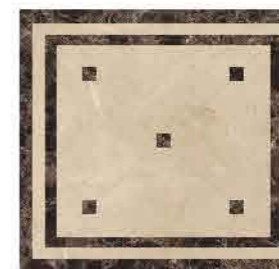
**MD-P04**



**MD-P05**



**MD-P06**



**MD-P07**



**MD-P08**



# 乘客电梯功能

## Passenger Elevator Function

### 标准功能 Standard function

无呼自返基站功能 No call auto return base station function	光幕门保护装置 Light curtain protection device
设置厅、轿门时间 Setting hall, car gate time	误登陆取消 Mis-login cancellation
关门时间保护 Gate closing time protection	驻停 Parking
开、关门按钮 Gate opening and closing button	两台并联 Two parallel connection
紧急消防迫降 Emergency firefighting forced landing	驱动设备过热保护 Drive equipment overheat protection
轿内紧急照明 Car emergency lighting	消防信号反馈 Firefighting signal feedback
全集选控制 Full selective control	防捣乱操作 Anti-disturbance operation
厅和轿厢数字式位置显示器 Hall and car digital position indicator	自动开关门 Auto gate opening and closing
厅和轿厢呼梯/登记 Hall and car elevator calling/registration	撞底缓冲装置 Bottom bumping buffer device
厅及轿厢运行方向显示 Hall and car running direction display	门区外不能开门 Gate cannot be opened beyond the gate area
监控室与机房、轿厢对讲 (不含机房到监控室连线) Monitoring cabinet and machine room, car intercom (excluding the connection from machine room to the monitoring cabinet)	预转矩输出 Pre-torque output
独立服务 Independent service	电网电压波动检测功能 Grid voltage fluctuation detection function
满载不停梯 Elevator running in full load	接触器反馈检测功能 Contactor feedback detection function
超载不启动 (警示灯及蜂鸣器) Overload start failure (alarm light and buzzer)	继电器检查保护 Relay inspection protection
运行次数显示功能 Running times display function	速度反馈检测功能 Speed feedback detection function
轿顶与控制柜紧急电动运行 Car ceiling and control cabinet emergency electric running	故障低速自救功能 Fault low speed self-rescue function
轿内通风手动及照明自动控制功能 Manual car ventilation and lighting auto control function	安全回路保护 Safety circuit protection
故障自动检测功能 Fault auto detection function	本层外召开门 Floor external calling gate opening
反向指令自动消除 Reverse instruction auto cancellation	外召按钮嵌入自诊断 External calling button embedded self-diagnosis
警铃 Alarm bell	重复关门 Repeated gate closing

### 标准功能 Standard function

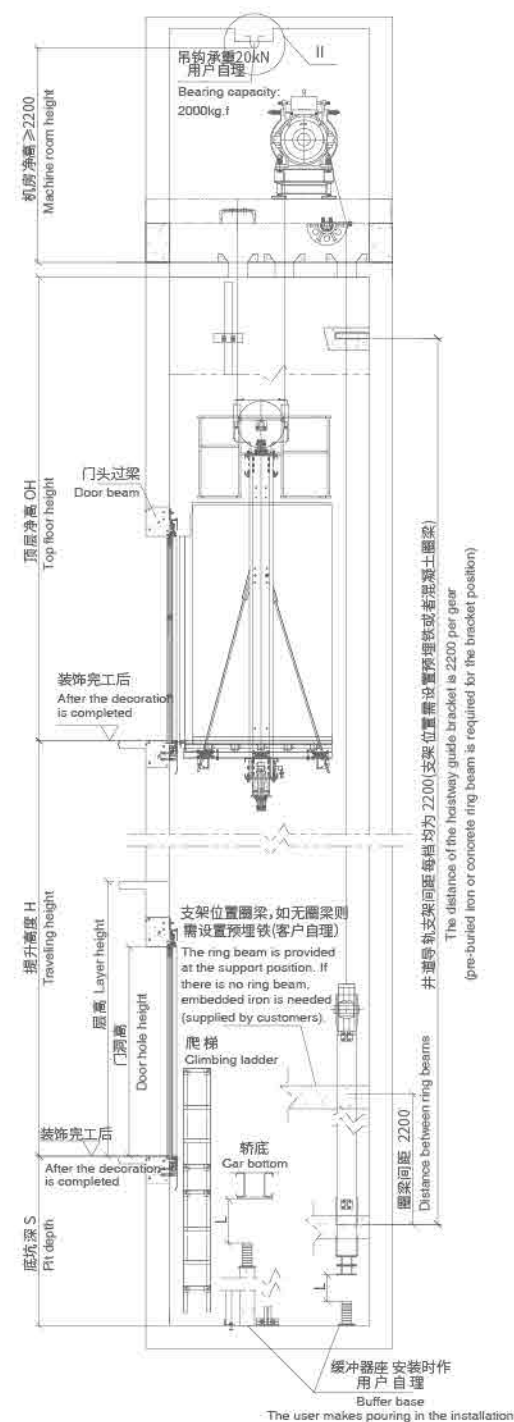
不停层设置 Non-stop floor setting	副操纵箱 Optional function
待梯层设定 Elevator floor waiting setting	停电应急救援 Power failure emergency rescue
楼层显示字符的任意设定 Arbitrary setting of floor display character	群控智能调度 Cluster control intelligent dispatching
输入口干扰评价 Input port interference evaluation	CCTV电缆 (轿厢到机房) CCTV cable (car to machine room)
井道自学习 Hoistway self-learning	紧急备用电源操作装置 Emergency standby power operation device
逆向运行保护 Reverse running protection	地震传感系统 Seismic sensing system
防打滑保护 Anti-skidding protection	开门再平层 Leveling after gate opening
限位保护 Limit protection	电梯远程监控 Elevator remote control monitoring
上下极限保护装置 Upper and lower limit protection device	语音报站 Station broadcast
门连锁保护 Gate interlock protection	IC卡智能控制 IC card intelligent control
运行接触器保护 Operation contactor protection	提前开门 Gate opening in advance
抱闸检测保护 Band-type brake detection protection	群控管理运行 Cluster control management operation
手动松闸救援 Manual brake loosening rescue	能量回馈 Energy feedback
端站换速及楼层号校正 Terminal station speed conversion and floor number correction	双开门电梯 Double-door elevator
手动选层 Manual floor selection	
机房开关门 Machine room gate switch	
轿厢到站钟 Car arrival bell	
有司机操作 Attendant operation	
风扇自动控制 Fan auto control	



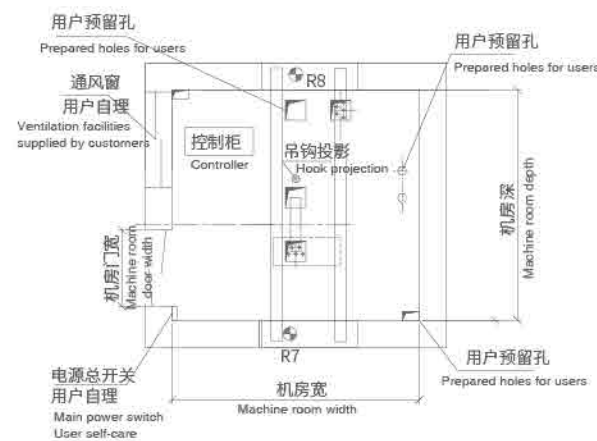
# 小机房乘客电梯·土建示意图

## Small Machine Room Passenger Elevator Construction Sketch

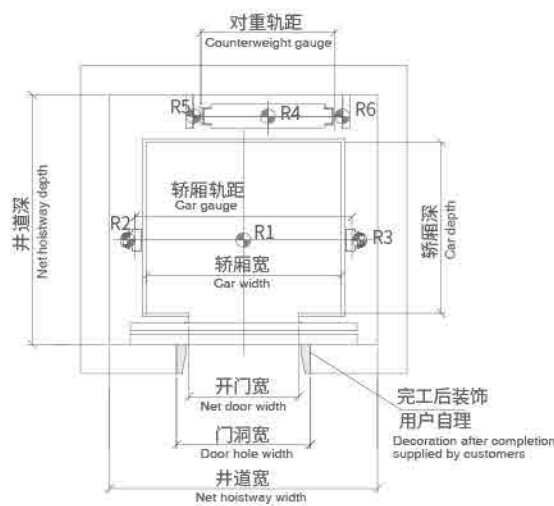
井道立面图  
Hoistway Elevational View



机房平面布置图  
Machine Room Layout Drawing



井道平面布置图  
Hoistway Layout Drawing



小机房电梯参数表 Small Machine Room Elevator Parameter List

型号 Model	速度 Speed m/s	载重量 Weight capacity kg	人数 Number of peoples	轿厢内尺寸 Inner car dimension		井道尺寸 Shaft size		净开门尺寸 Clear door size		顶层高 Headroom height	底坑深 Pit depth	机房 Machine room		
				宽	深	宽	深	宽	高			宽	深	高
MD-JPS -III(VVVF)	1.0	630	8	1400	1100	1900	1750	800	2100	≥4200	≥1400	1900	1750	2200
	1.5									≥4500	≥1500			
	1.75									≥4200	≥1400			
	1.0	800	10	1400	1350	2000	2000	800	2100	≥4200	≥1400	2000	2000	2200
	1.5									≥4500	≥1500			
	1.75									≥4800	≥1800			
	2.0	1000	13	1600	1400	2100	2050	900	2100	≥4800	≥1800	2200	2100	2500
	2.5									≥5000	≥2200			
	1.0									≥4200	≥1400			
	1.5	≥4500	≥1500											
	1.75	≥4800	≥1800											
	2.0	1150	15	1700	1500	2300	2200	900	2100	≥4800	≥1800	2300	2200	2500
	2.5									≥5000	≥2200			
	1.0									≥4200	≥1400			
	1.5	≥4500	≥1500											
	1.75	≥4800	≥1800											
	2.0	1350	18	2000	1500	2500	2200	1100	2100	≥4300	≥1400	2500	2200	2500
	1.5									≥4500	≥1500			
	1.75									≥4800	≥1800			
	2.0	1600	21	2000	1700	2600	2400	1100	2100	≥4300	≥1400	2600	2400	2500
	1.5									≥4500	≥1500			
	1.75									≥4800	≥1800			
	2.0	1600	21	2000	1700	2500	2400	1100	2100	≥4500	≥1500	2500	2400	2200
	1.5									≥4800	≥1800			
1.75	≥5000									≥2200				
2.0	1600	21	2000	1700	2600	2400	1100	2100	≥4500	≥1500	2600	2400	2500	
1.5									≥4800	≥1800				
1.75									≥5000	≥2200				

注：上述尺寸供设计参考，具体尺寸以合同约定时提供的土建图为准。  
Note: Only for reference, final manufacture please follow contract.



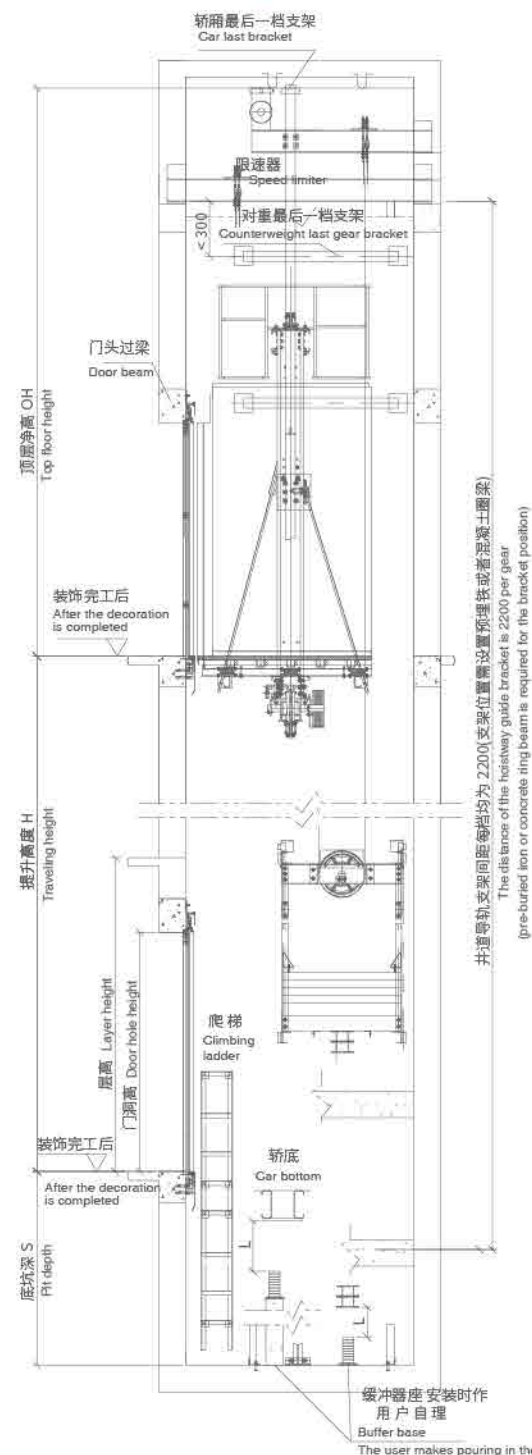
# 无机房乘客电梯· 土建示意图

## Machine Roomless Passenger Elevator Construction Sketch

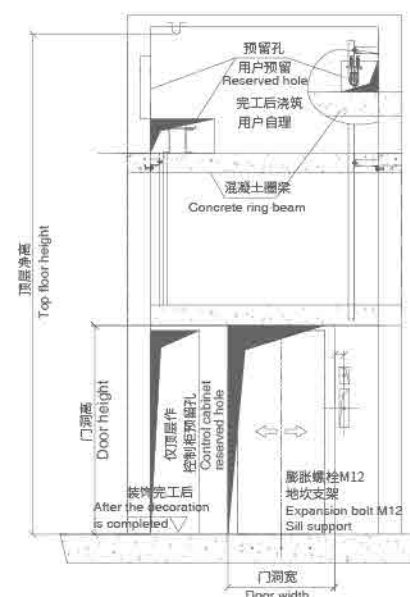
### 用户应完成的工作 The user's tasks

- 1、本图按有关电梯技术标准要求绘制,需复核后作为电梯安装依据。  
It makes the drawing according to the relevant lift technical standard, It needs to be checked and confirmed by the user before it becomes the lift installation proof.
- 2、机房内通向井道的所有孔洞四周应筑一高50mm以上,宽度适当的台阶。  
It shall have one above 50mm step with the proper width around the holes that lead to the well in side the machine room.
- 3、曳引机承重梁如需埋入墙内,则支承长度应超过墙中心20mm,且不应小于75mm。  
It shall be embedded in the wall for the machine supporting beam of the traction machine, Then the supporting length shall be 20mm more than the wall center, It shall not be less than 75mm.
- 4、安装完成后,地面装饰应与厅门地坎上表面有一高度适当的台阶,以防止水或其它杂物进入井道。  
After the installation completion, the ground decoration shall have a proper height step in the sill surface to prevent water or other impurity from entering into the well.
- 5、安装时浇灌的物体应能满足相关图示要求。  
The casting object in the installation shall satisfy the relevant drawing requirements.
- 6、缓冲器底座制作时应在安装人员的指导下施工。  
The buffer base shall be made under the directions of the installers.

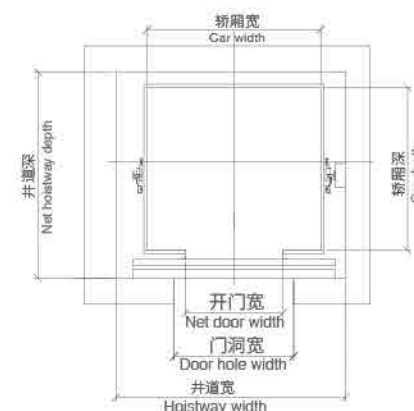
井道立面图  
Hoistway Elevational View



顶层留孔图  
Plane of Leaving Holes on Top



井道平面布置图  
Hoistway Layout Drawing



无机房乘客电梯参数表 Machine roomless elevator parameter list

型号 Model	速度 Speed m/s	载重量 Weight capacity kg	人数 Number of peoples	轿厢内尺寸 Inner car dimension		井道尺寸 Shaft size		净开门尺寸 Clear door size		顶层高 Headroom height	底坑深 Pit depth
				宽	深	宽	深	宽	高		
MD-JPS -N-VVVF	1.0	630	8	1200	1300	2000	1700	700	2100	≥4200	≥1400
	1.5									≥4500	≥1500
	1.75									≥4200	≥1400
	1.0	800	10	1400	1350	2200	1750	800	2100	≥4500	≥1500
	1.5									≥4200	≥1400
	1.75									≥4500	≥1500
	1.0	1000	13	1600	1400	2400	1850	900	2100	≥4200	≥1400
	1.5									≥4500	≥1500
	1.75									≥4200	≥1400
	1.0	1150	15	1500	1700	2450	2200	900	2100	≥4500	≥1500
	1.5									≥4200	≥1400
	1.75									≥4500	≥1500
	1.0	1350	18	1600	1900	2600	2400	1000	2100	≥4300	≥1500
	1.5									≥4600	≥1600
	1.75									≥4500	≥1500
	1.0	1600	21	1700	2000	2750	2450	1100	2100	≥4600	≥1600
	1.5									≥4500	≥1500
	1.75									≥4600	≥1600

注:上述尺寸供设计参考,具体尺寸以合同约定时提供的土建图为准。  
Note: Only for reference, final manufacture please follow contract.